

Falcon K2 LiDAR

Falcon K2 LiDAR is an industry-leading automotive-grade LiDAR developed by Seyond through forward engineering. It can detect objects as far as 500 meters, and dark objects with 10% reflectivity up to 250 meters. Falcon can maximize point density in region of interest (ROI) which is adjustable to focus where it matters most to better track objects on the road. High performance LiDAR with strong environmental adaptability like Falcon is key to L2+ safe autonomy and smart transportation.



Features

- 500m ultra-long detection range, image-grade ultra-high resolution
- Flexible and adjustable ROI
- 1550nm laser wavelength enables better eye-safety
- Greater environmental adaptability and longer product life
- Mass production of automotive-grade robust products is ready

Specifications

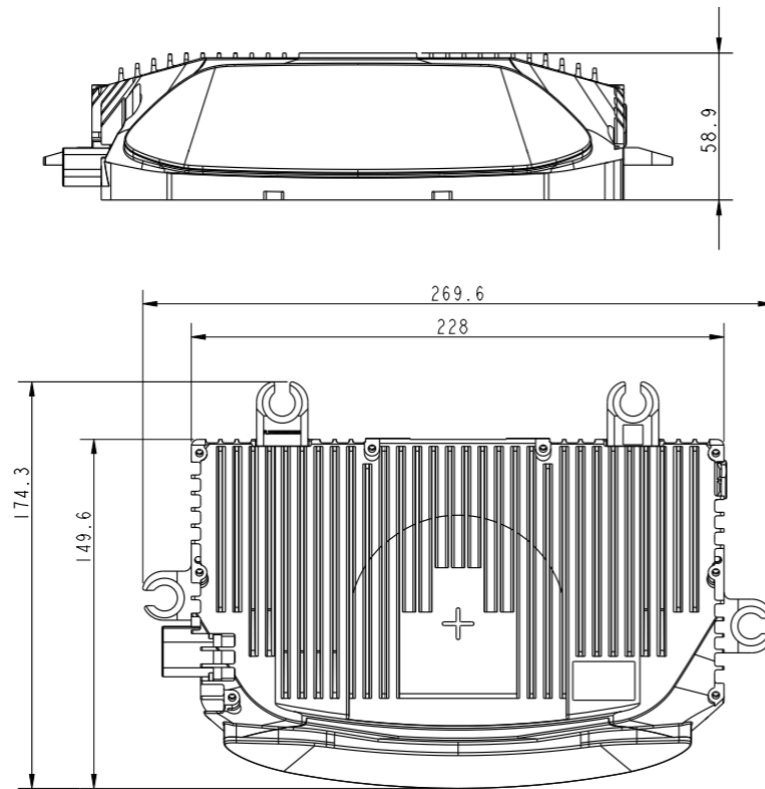
OPTICAL PERFORMANCE	
Range (Maximum)	500 m
Range (Minimum)	1.5 m
Detection Range (10% Lambertian reflectivity @ 10 Hz)	250 m@100 klx sunlight, POD>90%
Detection Range Accuracy Note: "Accuracy is calculated based on the discrepancy between the average of 50 measurements on static target at a specific distance and the true distance"	± 2 cm
Detection Range Precision **	Up to 2cm (1 standard deviation)
Detection Range Resolution	0.5 cm
Vertical Scanning Lines *	1500 lines/sec
FOV in non-ROI (H×V)	120°×25°
FOV in ROI (H×V)	120°×9.6°
Angular Resolution in non-ROI (H×V) *	0.2°×0.24°
Angular Resolution in ROI (H×V)*	0.1°×0.15° (1 st 4.8°), 0.1°×0.1°(2 nd 4.8°)
Angular Accuracy	± 0.1°
Frame Rate *	10 FPS
# of Returns	Up to 2 returns

LASER	
Laser Safety Class	Class 1 (IEC 60825-1:2014)
Laser Wavelength	1550 nm
Beam Divergence (Full Angle)	0.1°
LIDAR OUTPUT	
Data transmission	1000Base-T1 Ethernet (UDP, TCP/IP)
Points Per Second	1370,000 Points/sec @1 return 2740,000 Points/sec @2 return
Data Rate (Megabits Per Second)	11.69MB/S@1 return 17.45MB/S@2 return
Data Output	radius, azimuth, reflectivity, timestamp, frame ID, return mode, working mode, fault state, CRC verification, etc.
CONTROL INTERFACE	
Interface	TCP and HTTP APIs
Time Synchronization	IEEE1588 (PTP), IEEE 802.1as(gPTP), NTP
MECHANICAL/ELECTRICAL	
Power Consumption	20 W
Operating Voltage	9 to 32V DC
Standard Voltage	12V DC
Connector	Proprietary pluggable connector (Power + Automotive Ethernet + CAN)
Dimensions (H×W×D)	58.9 mm × 228 mm × 149.6 mm
Weight	1.7 kg
Mounting	4×M4×18 screws, located in bushings
OPERATIONAL	
Operating Temperature	-40 °C to +85 °C
Storage Temperature	-40 °C to +105 °C
Ingress Protection	IP67(body), IP69K(window)
Shock	IEC 60068-2-27
Vibration	IEC 60068-2-64
ACCESSORIES	
Optional Wire Harness	5m cable (power & Ethernet)
Optional Converter	MetAdaptor
Optional Mount	Metal bracket
SOFTWARE	
Available Drivers	ROS/ROS2

* The parameter with the mark* can be customized.

** The detection Range Precision is preliminary version, which is subject to change without notice

Dimensions (Unit: mm)



*Specifications are subject to change without notice and based on engineering targets. Specs are not guaranteed to have passed full validation at the time of publication.